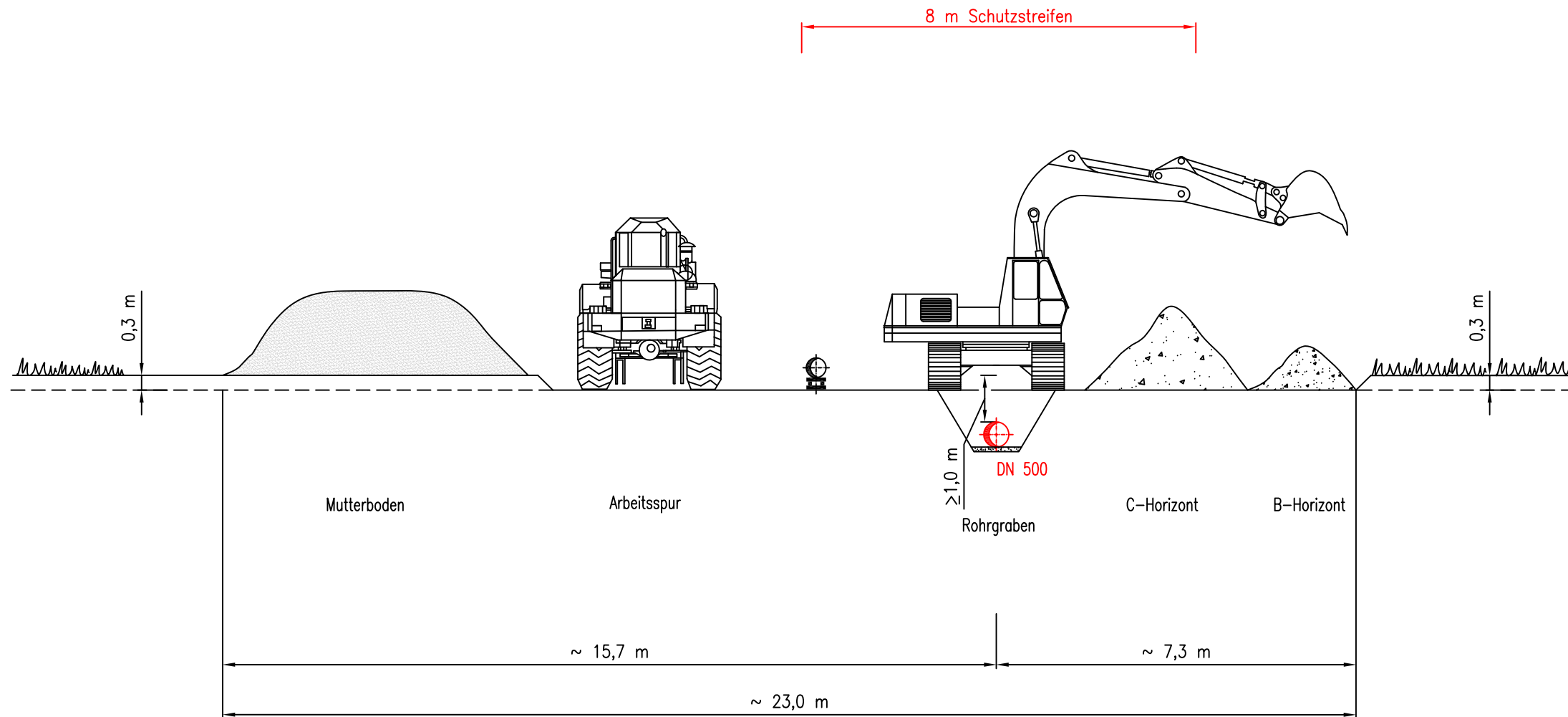


Arbeitsstreifen für Hauptleitung FGL 012 DN 500



Antragsunterlagen zur Planfeststellung
Unterlage 3.2

| | | | | | | | | | | | | | | | | | | | | | | | | | | | | | | | | | | | | | | | | | | | | | | | | | | | | | | | | | | | | | | | | | | | | | | | | | | | | | | | | | | | | | | | | | | | | | | | | | | | | | | | | | | | | | | | | | | | | | | | | | | | | | | | | |
|----------------------------|------------------|-------------|------|--|------------|-------------|------------|---|----------|-----------|----|----|----|----|----|------|----|----|----|----|----|----|----|----|----|----|----|----|----|----|----|-----|----|----|----|----|----|----|----|----|----|----|----|----|----|----|----|----|-------------|----|-------------|----|----------|------------|--|------------|------|----------|-----------|--|--|--|--|--|--|--|--|--|--|--|--|--|--|--|-----|--|--------|--|-----|-----|--|-----|----|--|--|--|--|--|--|--|--|--|--|--|--|--|--|--|--|---|---|---|---|---|---|---|---|----|----|----|----|----|----|----|----|----|----|----|----|----|----|----|----|----|----|----|----|----|
| | | | | PLE PLE Pipeline Engineering GmbH | | Fachbereich | | Neuerlegung der Ferngasleitung FGL 012 DN 500, DN 400 einschl. Nebenanlagen | | | | | | | | | | | | | | | | | | | | | | | | | | | | | | | | | | | | | | | | | | | | | | | | | | | | | | | | | | | | | | | | | | | | | | | | | | | | | | | | | | | | | | | | | | | | | | | | | | | | | | | | | | | | | | | | | | | | | | | | |
| | | | | | | 77 78 79 | | | | | | | | | | | | | | | | | | | | | | | | | | | | | | | | | | | | | | | | | | | | | | | | | | | | | | | | | | | | | | | | | | | | | | | | | | | | | | | | | | | | | | | | | | | | | | | | | | | | | | | | | | | | | | | | | | | | | | | | | | |
| Zchn. | Art der Änderung | Datum | Name | PLE-Komm.Nr.: 2.1.17.009 Ontras-Nr.: ON.16026 | | | | Zeichnungsbenennung | | | | | | | | | | | | | | | | | | | | | | | | | | | | | | | | | | | | | | | | | | | | | | | | | | | | | | | | | | | | | | | | | | | | | | | | | | | | | | | | | | | | | | | | | | | | | | | | | | | | | | | | | | | | | | | | | | | | | | | | |
| 2018 | | | | | | | | Regelplan Arbeitsstreifen DN 500 | | | | | | | | | | | | | | | | | | | | | | | | | | | | | | | | | | | | | | | | | | | | | | | | | | | | | | | | | | | | | | | | | | | | | | | | | | | | | | | | | | | | | | | | | | | | | | | | | | | | | | | | | | | | | | | | | | | | | | | | |
| Erstl. | 21.02.2018 | Tietze | | | | | | <table border="1" style="width: 100%; border-collapse: collapse;"> <tr> <td>22</td><td>23</td><td>24</td><td>25</td><td>26</td><td>27</td><td>28</td><td>29</td><td>30</td><td>31</td><td>32</td><td>33</td><td>34</td><td>35</td><td>36</td><td>37</td><td>38</td><td>39</td><td>40</td><td>41</td><td>42</td><td>43</td><td>44</td><td>45</td><td>46</td><td>47</td><td>48</td><td>49</td><td>50</td> </tr> <tr> <td colspan="2">Fachbereich</td><td colspan="2">Anlagenname</td><td>Anl.-Art</td><td colspan="2">Zohng.-Art</td><td>lfd.Zählr.</td><td>Änd.</td><td>Anl.-Nr.</td><td colspan="2">Anl.-Teil</td><td colspan="14"></td> </tr> <tr> <td colspan="2">A-L</td><td colspan="2">FGL012</td><td>206</td><td colspan="2">ZAL</td><td>001</td><td>00</td><td colspan="2"></td><td colspan="14"></td> </tr> <tr> <td>2</td><td>3</td><td>4</td><td>5</td><td>6</td><td>7</td><td>8</td><td>9</td><td>10</td><td>11</td><td>12</td><td>13</td><td>14</td><td>15</td><td>16</td><td>17</td><td>18</td><td>19</td><td>20</td><td>21</td><td>53</td><td>54</td><td>55</td><td>56</td><td>57</td><td>58</td><td>59</td><td>60</td><td>61</td> </tr> </table> | | | | | | | | | | | | 22 | 23 | 24 | 25 | 26 | 27 | 28 | 29 | 30 | 31 | 32 | 33 | 34 | 35 | 36 | 37 | 38 | 39 | 40 | 41 | 42 | 43 | 44 | 45 | 46 | 47 | 48 | 49 | 50 | Fachbereich | | Anlagenname | | Anl.-Art | Zohng.-Art | | lfd.Zählr. | Änd. | Anl.-Nr. | Anl.-Teil | | | | | | | | | | | | | | | | A-L | | FGL012 | | 206 | ZAL | | 001 | 00 | | | | | | | | | | | | | | | | | 2 | 3 | 4 | 5 | 6 | 7 | 8 | 9 | 10 | 11 | 12 | 13 | 14 | 15 | 16 | 17 | 18 | 19 | 20 | 21 | 53 | 54 | 55 | 56 | 57 | 58 | 59 | 60 | 61 |
| 22 | 23 | 24 | 25 | | | | | | | | | | | | | | | | | 26 | 27 | 28 | 29 | 30 | 31 | 32 | 33 | 34 | 35 | 36 | 37 | 38 | 39 | 40 | 41 | 42 | 43 | 44 | 45 | 46 | 47 | 48 | 49 | 50 | | | | | | | | | | | | | | | | | | | | | | | | | | | | | | | | | | | | | | | | | | | | | | | | | | | | | | | | | | | | | | | | | | | | | | | | | | | | | | | | | | | | |
| Fachbereich | | Anlagenname | | Anl.-Art | Zohng.-Art | | lfd.Zählr. | Änd. | Anl.-Nr. | Anl.-Teil | | | | | | | | | | | | | | | | | | | | | | | | | | | | | | | | | | | | | | | | | | | | | | | | | | | | | | | | | | | | | | | | | | | | | | | | | | | | | | | | | | | | | | | | | | | | | | | | | | | | | | | | | | | | | | | | | | | | | | |
| A-L | | FGL012 | | 206 | ZAL | | 001 | 00 | | | | | | | | | | | | | | | | | | | | | | | | | | | | | | | | | | | | | | | | | | | | | | | | | | | | | | | | | | | | | | | | | | | | | | | | | | | | | | | | | | | | | | | | | | | | | | | | | | | | | | | | | | | | | | | | | | | | | | | | |
| 2 | 3 | 4 | 5 | 6 | 7 | 8 | 9 | 10 | 11 | 12 | 13 | 14 | 15 | 16 | 17 | 18 | 19 | 20 | 21 | 53 | 54 | 55 | 56 | 57 | 58 | 59 | 60 | 61 | | | | | | | | | | | | | | | | | | | | | | | | | | | | | | | | | | | | | | | | | | | | | | | | | | | | | | | | | | | | | | | | | | | | | | | | | | | | | | | | | | | | | | | | | | | | | | | | | | | | |
| Gepf. | 21.02.2018 | Schubert | | <table border="1" style="width: 100%; border-collapse: collapse;"> <tr> <td colspan="2">M 1/</td> <td colspan="14"></td> </tr> <tr> <td colspan="2">100</td> <td colspan="14"></td> </tr> <tr> <td colspan="2">62</td><td>63</td><td>64</td><td>65</td><td colspan="14"></td> </tr> </table> | | | | | | | | | | | | M 1/ | | | | | | | | | | | | | | | | 100 | | | | | | | | | | | | | | | | 62 | | 63 | 64 | 65 | | | | | | | | | | | | | | | | | | | | | | | | | | | | | | | | | | | | | | | | | | | | | | | | | | | | | | | | | | | | | | | | | | | | | | | | | | | | |
| M 1/ | | | | | | | | | | | | | | | | | | | | | | | | | | | | | | | | | | | | | | | | | | | | | | | | | | | | | | | | | | | | | | | | | | | | | | | | | | | | | | | | | | | | | | | | | | | | | | | | | | | | | | | | | | | | | | | | | | | | | | | | | | | | | | | | |
| 100 | | | | | | | | | | | | | | | | | | | | | | | | | | | | | | | | | | | | | | | | | | | | | | | | | | | | | | | | | | | | | | | | | | | | | | | | | | | | | | | | | | | | | | | | | | | | | | | | | | | | | | | | | | | | | | | | | | | | | | | | | | | | | | | | |
| 62 | | 63 | 64 | 65 | | | | | | | | | | | | | | | | | | | | | | | | | | | | | | | | | | | | | | | | | | | | | | | | | | | | | | | | | | | | | | | | | | | | | | | | | | | | | | | | | | | | | | | | | | | | | | | | | | | | | | | | | | | | | | | | | | | | | | | | | | | | |
| Freig. | 21.02.2018 | Radig | | <table border="1" style="width: 100%; border-collapse: collapse;"> <tr> <td colspan="2">M 1/</td> <td colspan="14"></td> </tr> <tr> <td colspan="2">100</td> <td colspan="14"></td> </tr> <tr> <td colspan="2">62</td><td>63</td><td>64</td><td>65</td><td colspan="14"></td> </tr> </table> | | | | | | | | | | | | M 1/ | | | | | | | | | | | | | | | | 100 | | | | | | | | | | | | | | | | 62 | | 63 | 64 | 65 | | | | | | | | | | | | | | | | | | | | | | | | | | | | | | | | | | | | | | | | | | | | | | | | | | | | | | | | | | | | | | | | | | | | | | | | | | | | |
| M 1/ | | | | | | | | | | | | | | | | | | | | | | | | | | | | | | | | | | | | | | | | | | | | | | | | | | | | | | | | | | | | | | | | | | | | | | | | | | | | | | | | | | | | | | | | | | | | | | | | | | | | | | | | | | | | | | | | | | | | | | | | | | | | | | | | |
| 100 | | | | | | | | | | | | | | | | | | | | | | | | | | | | | | | | | | | | | | | | | | | | | | | | | | | | | | | | | | | | | | | | | | | | | | | | | | | | | | | | | | | | | | | | | | | | | | | | | | | | | | | | | | | | | | | | | | | | | | | | | | | | | | | | |
| 62 | | 63 | 64 | 65 | | | | | | | | | | | | | | | | | | | | | | | | | | | | | | | | | | | | | | | | | | | | | | | | | | | | | | | | | | | | | | | | | | | | | | | | | | | | | | | | | | | | | | | | | | | | | | | | | | | | | | | | | | | | | | | | | | | | | | | | | | | | |
| M 1/ 100 62 63 64 65 | | | | ontras Gastransport GmbH | | Ersatz für: | | Ersetzt durch: | | | | | | | | | | | | | | | | | | | | | | | | | | | | | | | | | | | | | | | | | | | | | | | | | | | | | | | | | | | | | | | | | | | | | | | | | | | | | | | | | | | | | | | | | | | | | | | | | | | | | | | | | | | | | | | | | | | | | | | | |
| | | | | | | | | | | | | | | | | | | | | | | | | | | | | | | | | | | | | | | | | | | | | | | | | | | | | | | | | | | | | | | | | | | | | | | | | | | | | | | | | | | | | | | | | | | | | | | | | | | | | | | | | | | | | | | | | | | | | | | | | | | | | | | | | |

Gehört zum Planfeststellungsbeschluss
des LBGR, Az.: 27.1-1-55